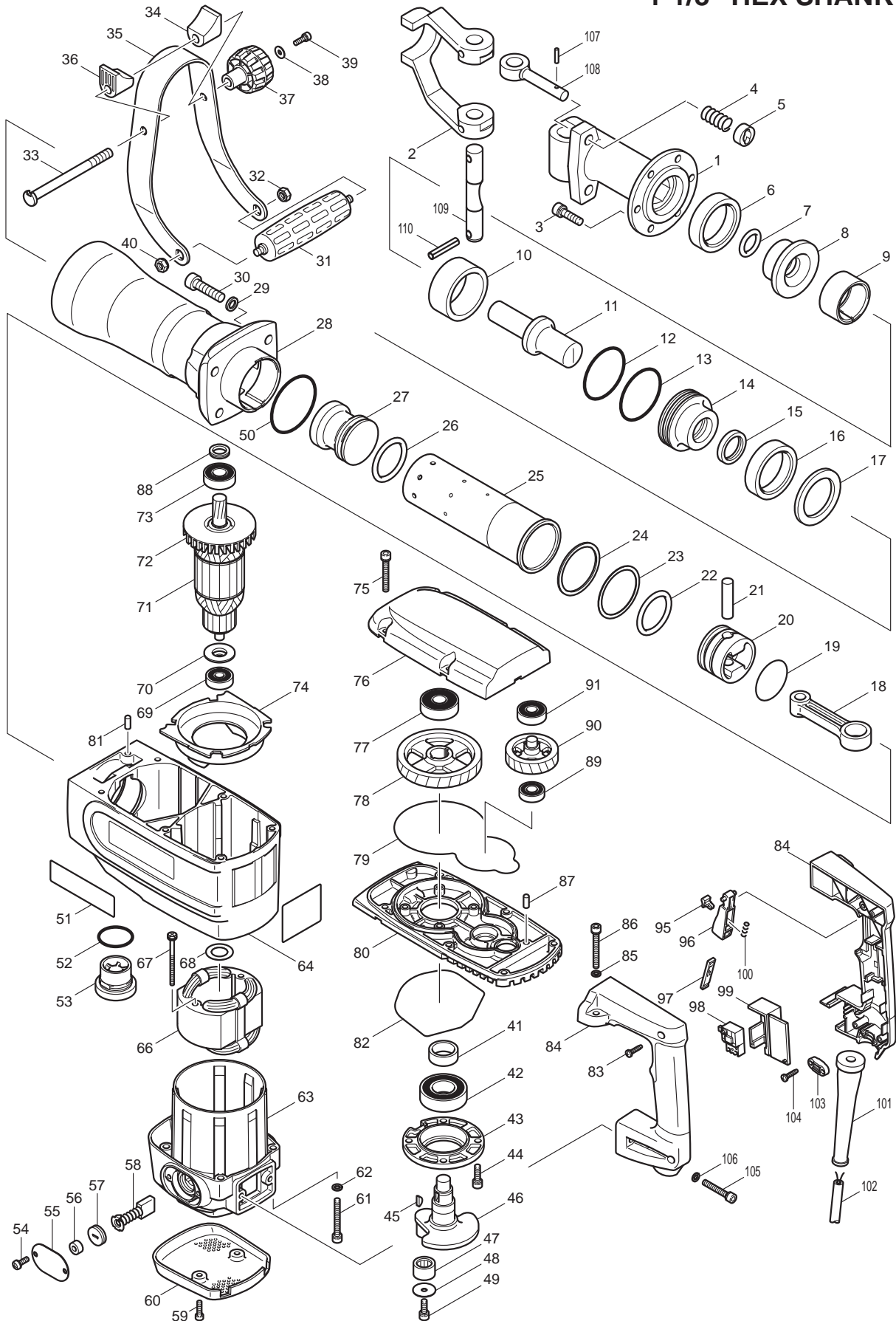




05 - 2010
HM1304B
DEMOLITION HAMMER
1-1/8" HEX SHANK



Item No.	Type	Sub	Part No.	Description	Qty	Unit
1			324345-5	TOOL HOLDER	1	PC.
2			322478-0	TOOL RETAINER	1	PC.
3			266010-9	HEX. SOCKET HEAD BOLT M8X30	6	PC.
4			233083-7	COMPRESSION SPRING 12	2	PC.
5			322560-5	RETAINER RING	2	PC.
6			262098-7	URETHAN RING 48	1	PC.
7			213388-1	O RING 24	1	PC.
8			324346-3	TOOL GUIDE	1	PC.
9			324166-5	IDLER	1	PC.
10			262099-5	RUBBER RING 52	1	PC.
11			324347-1	IMPACT BOLT	1	PC.
12		1	213721-7	O RING 61	1	PC.
		2	421975-4	SEAL RING	1	PC.
13			213721-7	O RING 61(OLD)	1	PC.
14		1	324165-7	SEAL HOLDER	1	PC.
		2	324738-6	SEAL HOLDER	1	PC.
15			213443-9	X-RING 30	1	PC.
16			262098-7	URETHAN RING 48	1	PC.
17			267232-4	FLAT WASHER 48	1	PC.
18			317448-2	CONNECTING ROD	1	PC.
19			213617-2	O RING 47	1	PC.
20			317447-4	PISTON	1	PC.
21			268066-8	PIN 12	1	PC.
22			213572-8	O-RING 44	1	PC.
23			267233-2	FLAT WASHER 55	1	PC.
24			261121-5	NYLON WASHER 55	1	PC.
25			331600-8	CYLINDER LINER 54	1	PC.
26			213572-8	O-RING 44	1	PC.
27			324102-1	STRIKER	1	PC.
28			317444-0	BARREL	1	PC.
29			941252-3	FLAT WASHER 10	4	PC.
30			266276-1	HEX.SOCKET HEAD BOLT M10X40	4	PC.
31			273518-6	GRIP 37	1	PC.
32			252005-8	HEX. NUT M8-13	1	PC.
33			266298-1	SET BOLT M10X122	1	PC.
34			416228-4	HANDLE BASE	1	PC.
35			345279-9	SIDE HANDLE	1	PC.
36			416228-4	HANDLE BASE	1	PC.
37			252633-9	WING NUT M10	1	PC.
38			253194-2	FLAT WASHER 5	1	PC.
39			922221-3	HEX. SOCKET HEAD BOLT M5X16	1	PC.
40			252005-8	HEX. NUT M8-13	1	PC.
41			257196-0	RING 25	1	PC.
42			211373-8	BALL BEARING 6205LLU	1	PC.
43			316730-6	BEARING BOX	1	PC.
44			265366-7	HEX. SOCKET HEAD BOLT M6X22	4	PC.
45			254001-2	WOODRUFF KEY 4	1	PC.
46			324100-5	CRANK SHAFT	1	PC.
47			212261-2	NEEDLE BEARING 1715	1	PC.
48			253196-8	FLAT WASHER 6	1	PC.
49			922326-9	HEX. SOCKET HEAD BOLT M6X18	1	PC.
50			213720-9	O RING 67	1	PC.
51			819084-5	MAKITA LABEL (OLD)	2	PC.
52			213510-0	O RING 36	1	PC.
53			416561-4	CRANK CAP	1	PC.
54			911221-8	PAN HEAD SCREW M5X16	4	PC.
55			345278-1	HOLDER CAP PLATE	2	PC.
56			262003-4	RUBBER RING 6	2	PC.

Item No.	Type	Sub	Part No.	Description	Qty	Unit
57			643700-5	BRUSH HOLDER CAP 7-18	2	PC.
58	1		191957-7	CARBON BRUSH CB-204 2PC/SET (W/O ORIGIN)	1	SET
	2		194992-4	CARBON BRUSH CB-204 2PC/SET (W/ ORIGIN)	1	SET
59			922227-1	HEX. SOCKET HEAD BOLT M5X18	2	PC.
60			345319-3	REAR COVER	1	PC.
61			922371-4	HEX. SOCKET HEAD BOLT M6X50	4	PC.
62			941151-9	FLAT WASHER 6	4	PC.
63			153438-9	MOTOR HOUSING COMPLETE	1	PC.
		INC.	213406-5	O RING 30	1	PC.
		INC.	414665-6	FIX RING	2	PC.
		INC.	643711-0	BRUSH HOLDER	2	PC.
64	1		183557-7	CRANK HOUSING	1	PC.
		INC.		Item No. 51		
	2		317623-0	CRANK HOUSING	1	PC.
66			628935-9	FIELD	1	PC.
67			265428-1	+ HEX. BOLT M5X65	2	PC.
68			253794-8	FLAT WASHER 18	1	PC.
69			211087-9	BALL BEARING 6200DDW	1	PC.
70			681635-2	INSULATION WASHER	1	PC.
71			518710-0	ARMATURE ASS'Y 115V	1	PC.
		INC.		Item No. 69,70,72,73		
72			241870-0	FAN 80	1	PC.
73			211228-7	BALL BEARING 6202DDW	1	PC.
74			418000-0	BAFFLE PLATE	1	PC.
75			266310-7	HEX.SOCKET HEAD BOLT M6X45	4	PC.
76			317446-6	GEAR HOUSING COVER	1	PC.
77			211214-8	BALL BEARING 6302	1	PC.
78			226450-3	HELICAL GEAR 57	1	PC.
79			421780-9	SEAL RING B	1	PC.
80			317445-8	GEAR HOUSING	1	PC.
81			256111-1	PIN 6	1	PC.
82			421779-4	SEAL RING A	1	PC.
83			265995-6	TAPPING SCREW 4X18	3	PC.
84			183546-2	HANDLE SET	1	SET
85			941152-7	FLAT WASHER 6	2	PC.
86			922371-4	HEX. SOCKET HEAD BOLT M6X50	2	PC.
87			256111-1	PIN 6	1	PC.
88			331212-7	SEAL	1	PC.
89			211104-5	BALL BEARING 6001	1	PC.
90			226449-8	HELICAL GEAR 34	1	PC.
91			211109-5	BALL BEARING 6201	1	PC.
95			415805-9	LOCK BUTTON	1	PC.
96			417544-7	SWITCH LEVER	1	PC.
97			415806-7	LOCK PLATE	1	PC.
98	1		651922-3	SWITCH TG71B	1	PC.
	2		650677-7	SWITCH C3PA-1112	1	PC.
99			421778-6	SWITCH BOX	1	PC.
100			231457-6	COMPRESSION SPRING 3	1	PC.
101			682560-0	CORD GUARD 10	1	PC.
102			664276-9	CORD W/PLUG 2P-16-5.0M, SJ	1	PC.
103			687063-9	CORD CLAMP	1	PC.
104			265995-6	TAPPING SCREW 4X18	2	PC.
105			922361-7	HEX. SOCKET HEAD BOLT M6X40	2	PC.
106			941152-7	FLAT WASHER 6	2	PC.
107			256219-1	PIN 4	2	PC.
108			322477-2	TOOL RETAINER POLE	2	PC.
109			322550-8	TOOL RETAINER SHAFT	1	PC.
110			951272-9	SPRING PIN 8-40	2	PC.

Item No.	Type	Sub Part No.	Description	Qty	Unit
ACCESSORIES - See catalogue or visit www.makita.ca for optional accessory -					
A01	1	183598-3	STEEL CARRYING CASE	1	PC.
		INC. 819140-1	MAKITA LOGO LABEL	1	PC.
A01	2	824826-4	PLASTIC CARRYING CASE	1	PC.
		INC. 163467-4	LATCH	2	PC.
A02		-----	BULL POINT 520	1	PC.

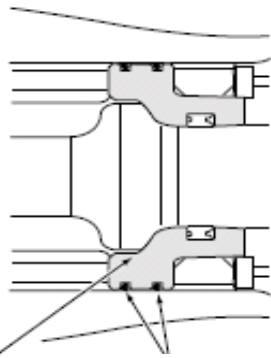
SERVICE CHANGES

1. Changes on Seal Holder, etc.

Item No.	Description	Type 1	Type 2
14	Seal Holder	324165-7	324738-6
12	O Ring 61/Seal Ring	323721-7	421975-4
13	O Ring 61	213721-7	-----

Above parts are completely interchangeable as a set.

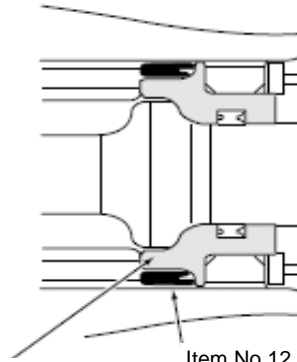
Type1



Item No.14 - Seal Holder

Item No.12 &13 -
O Ring 61

Type2



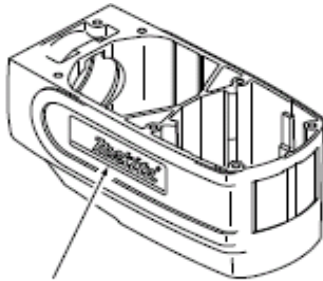
Item No.14 - Seal Holder

Item No.12 - Seal Ring

2. Changes on Crank Housing

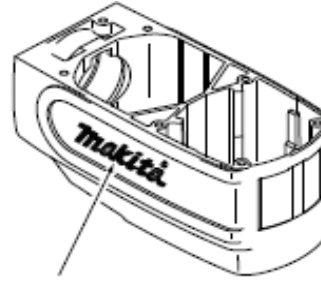
Item No.	Description	Type 1	Type 2
64	Crank Housing	183557-7	317623-0
51	Makita Label	819084-5	-----

Type1



Makita labels on the both sides
of Crank housing.

Type2



Raised Makita logos with
black painted on the both sides